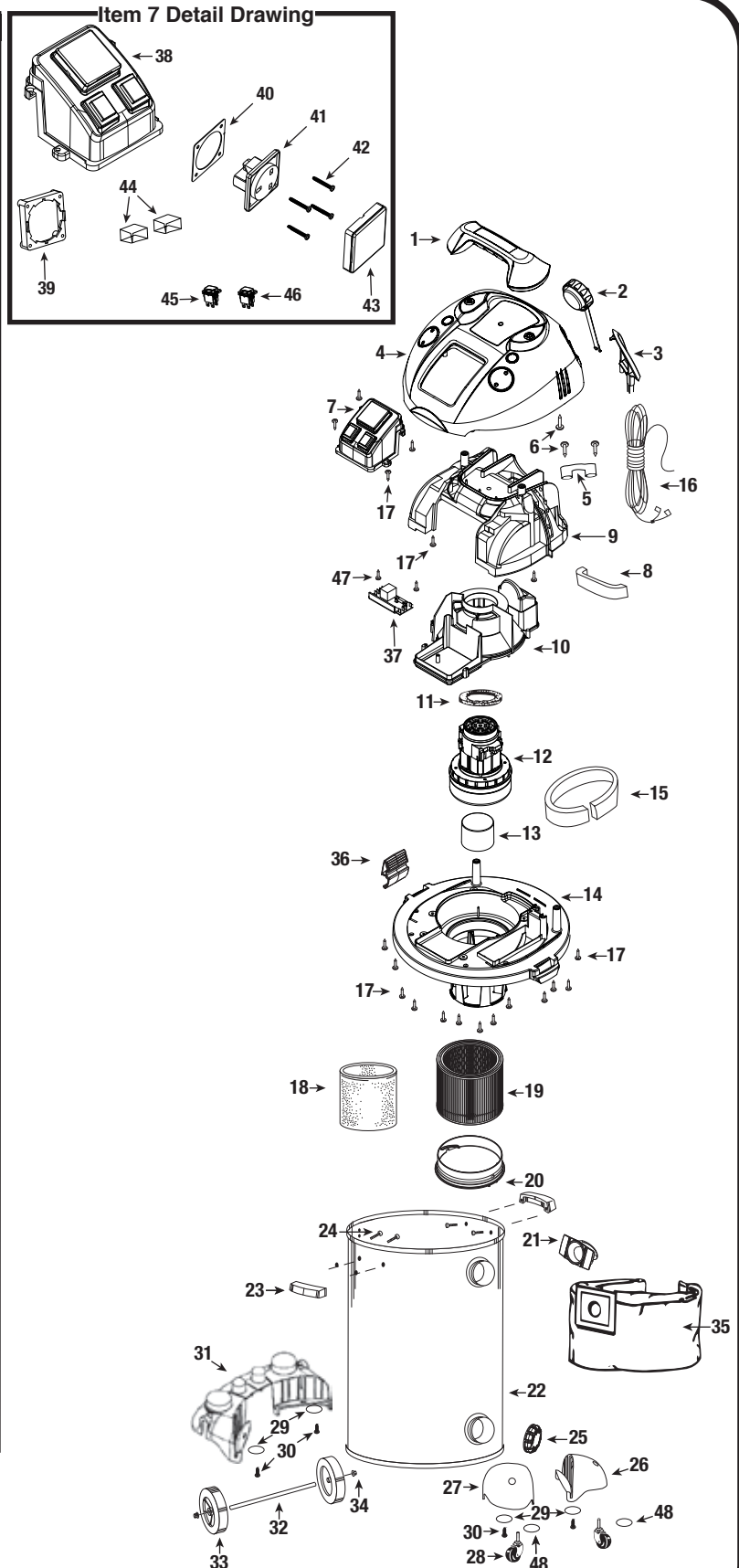


shop.vac[®] ULTRA30-SI TYPE ES

Catalog 9240329
(30 Litre)

ITEM	DESCRIPTION	PART NO.
1	Handle Assembly	6463350
2	Blower Cap Assembly	7412538
3	Power Cord Surround	6463100
4	Top Cover Assembly	1944827
5	Cord Clamp	0049810
6	Screw #6 x 3/4 Type B Phillips	1510499
7	Electrical Panel Assembly (Includes 37-46)	6460572
8	Inner Cover Acoustical Foam	1290556
9	Undercover	6460300
10	Motor Housing	6460410
11	Upper Motor Gasket	2072000
12	Motor	1944625
13	Float Cup	3545000
14	Lid Cage and Latch Assembly	6460620
15	Lid Cage Acoustical Foam	1290555
16	Power Cord	4880016
17	Screw #10 x 3/4" Trilobe T25	1516599
18	Foam Sleeve	9058529
19	Cartridge Filter	9030429
20	Filter Retainer	3008000
21	Inlet Deflector	7413110
22	Tank Assembly	1944629
23	Side Tank Handle	9356000
24	Screw Hex Head #10 x 3/4", Type AB	1503999
25	Drain Cover	7446800
26	Caster Foot A	8568900
27	Caster Foot B	8568910
28	Caster	6773900
29	Washer	2781018
30	Screw Hex Head #10 x 1", Type AB	1509699
31	Rear Wheel Dolly	3488900
32	Axle	2442400
33	8" Wheel	2425010
34	Cap Nut	4300299
35	Collection Bag	9066129
36	Lid Latch	6461100
37	PC Board	6196296
38	Electrical Panel	6460500
39	Mounting Plate	7446300
40	Gasket	1210035
41	Receptical	1210054
42	Screw 6 x 1/2 Type BT PH	2783205
43	Cover Frame	1210039
44	Switch Boot	8232450
45	Switch Double Pole	8232420
46	Switch Single Pole	8232410
47	Screw 8 x 3/4 PH Pan Type AB	1503199
48	Washer	0704399



* Replacement parts may differ from original equipment.