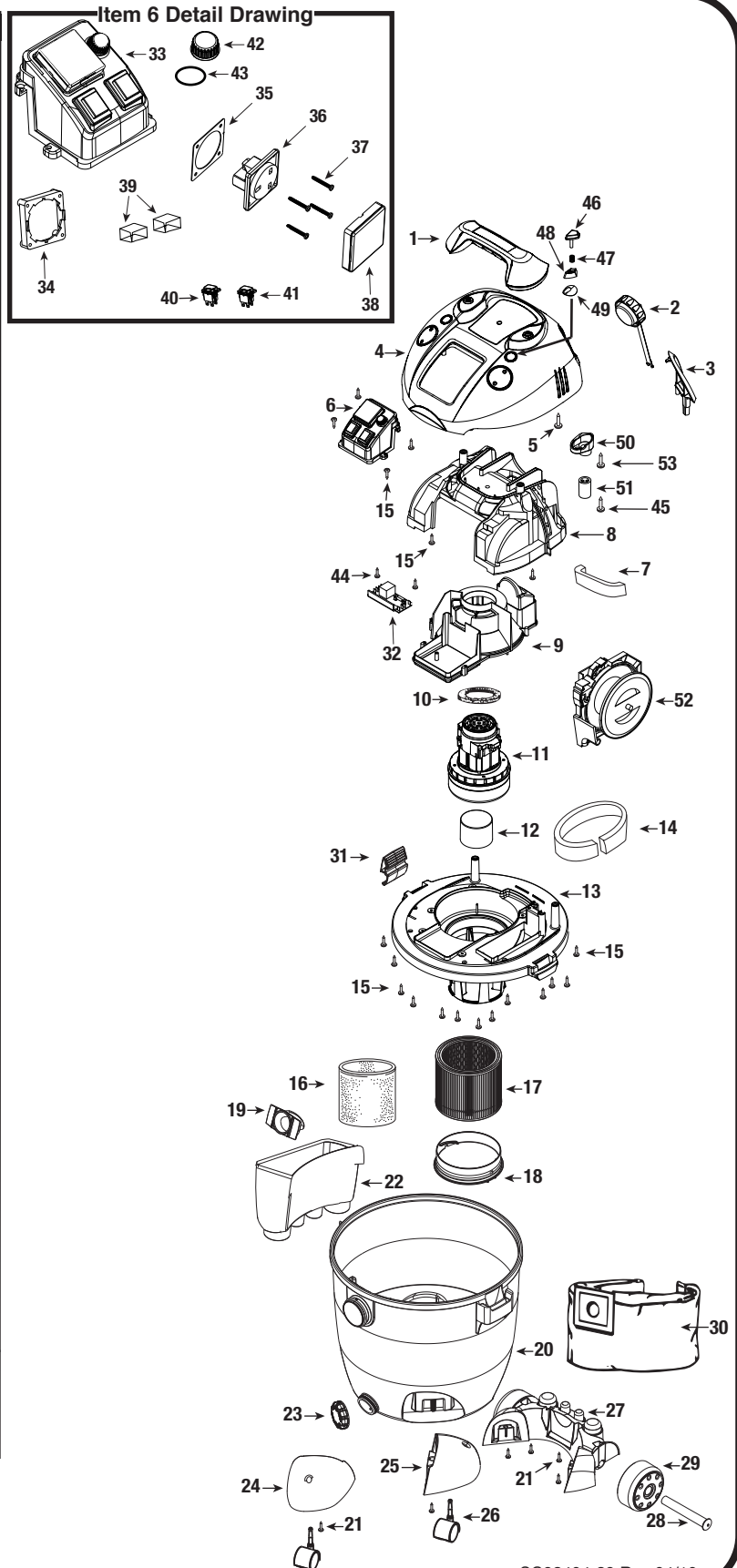


# shop.vac<sup>®</sup> ULTRA30-SX TYPE ES

Catalog 9240429  
(30 Litre)

ITEM	DESCRIPTION	PART NO.
1	Handle Assembly	6463350
2	Blower Cap Assembly	7412538
3	Power Cord Surround	6463100
4	Top Cover Assembly	1944828
5	Screw #6 x 3/4" Type B Phillips	1510499
6	Electrical Panel Assembly (Includes 32-43)	6460573
7	Inner Cover Acoustical Foam	1290556
8	Undercover	6460350
9	Motor Housing	6460410
10	Upper Motor Gasket	2072000
11	Motor	1944625
12	Float Cup	3545000
13	Lid Cage and Latch Assembly	6460620
14	Lid Cage Acoustical Foam	1290555
15	Screw #10 x 3/4" Trilobe T25	1516599
16	Foam Sleeve	9058529
17	Cartridge Filter	9030429
18	Filter Retainer	3008000
19	Inlet Deflector	7413110
20	Tank Assembly	1944647
21	Screw Hex Head #10 x 3/4", Type AB	1503999
22	Accessory Basket	7415004
23	Drain Cover	7446800
24	Caster Foot A	8568000
25	Caster Foot B	8568010
26	Caster	6774200
27	Rear Wheel Dolly	7440004
28	Axle	7410901
29	Rear Wheel	7440301
30	Collection Bag	9066129
31	Lid Latch	6461100
32	PC Board	6196300
33	Electrical Panel	6460510
34	Mounting Plate	7446300
35	Gasket	1210035
36	Receptical	1210054
37	Screw	2783205
38	Cover Frame	1210039
39	Switch Boot	8232450
40	Switch Double Pole	8232420
41	Switch Single Pole	8232410
42	Control Knob	6461021
43	O-/Ring	7403799
44	Screw 8 x 3/4 PH Pan Type AB	1503199
45	Screw M4 x 30 PH Pan	1517899
46	Actuator	6463400
47	Compression Spring	4371400
48	Actuator Base	6463500
49	Gasket	2072400
50	Base Mount	6463600
51	Actuator Stop	6461500
52	Cord Rewind	6463800
53	Screw M4 x 18 PH Pan	1517999



\* Replacement parts may differ from original equipment.