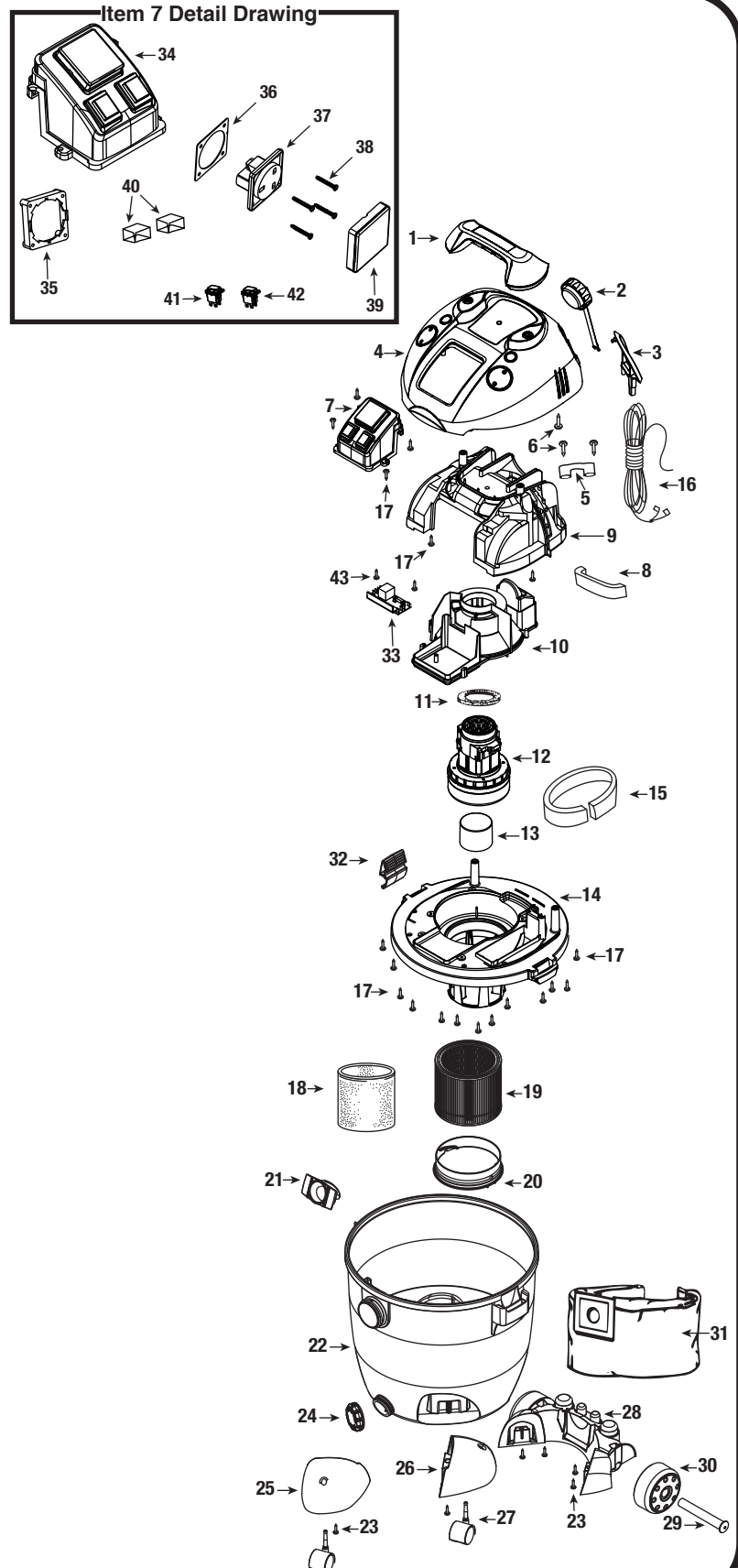


# shop.vac<sup>®</sup> ULTRA30-S TYPE FR

Catalog 9245229  
(30 Litre)

ITEM	DESCRIPTION	PART NO.
1	Handle Assembly	6463350
2	Blower Cap Assembly	7412538
3	Power Cord Surround	6463100
4	Top Cover Assembly	1944844
5	Cord Clamp	0049810
6	Screw #6 x 3/4 Type B Phillips	1510499
7	Electrical Panel Assembly (Includes 33-42)	6460576
8	Inner Cover Acoustical Foam	1290556
9	Undercover	6460300
10	Motor Housing	6460410
11	Upper Motor Gasket	2072000
12	Motor	1944625
13	Float Cup	3545000
14	Lid Cage and Latch Assembly	6460620
15	Lid Cage Acoustical Foam	1290555
16	Power Cord	4880016
17	Screw #10 x 3/4" Trilobe T25	1516599
18	Foam Sleeve	9058529
19	Cartridge Filter	9030429
20	Filter Retainer	3008000
21	Inlet Deflector	7413110
22	Tank Assembly	1944647
23	Screw Hex Head #10 x 3/4", Type AB	1503999
24	Drain Cover	7446800
25	Caster Foot A	8568000
26	Caster Foot B	8568010
27	Caster	6774200
28	Rear Wheel Dolly	7440004
29	Axle	7410901
30	Rear Wheel	7440301
31	Collection Bag	9066129
32	Lid Latch	6461100
33	PC Board	6196296
34	Electrical Panel	6460500
35	Mounting Plate	7446300
36	Gasket	1210035
37	Receptical	1210051
38	Screw	2783205
39	Cover Frame	1210039
40	Switch Boot	8232450
41	Switch Double Pole	8232420
42	Switch Single Pole	8232410
43	Screw 8 x 3/4 PH Pan Type AB	1503199



\* Replacement parts may differ from original equipment.

SC92452-29