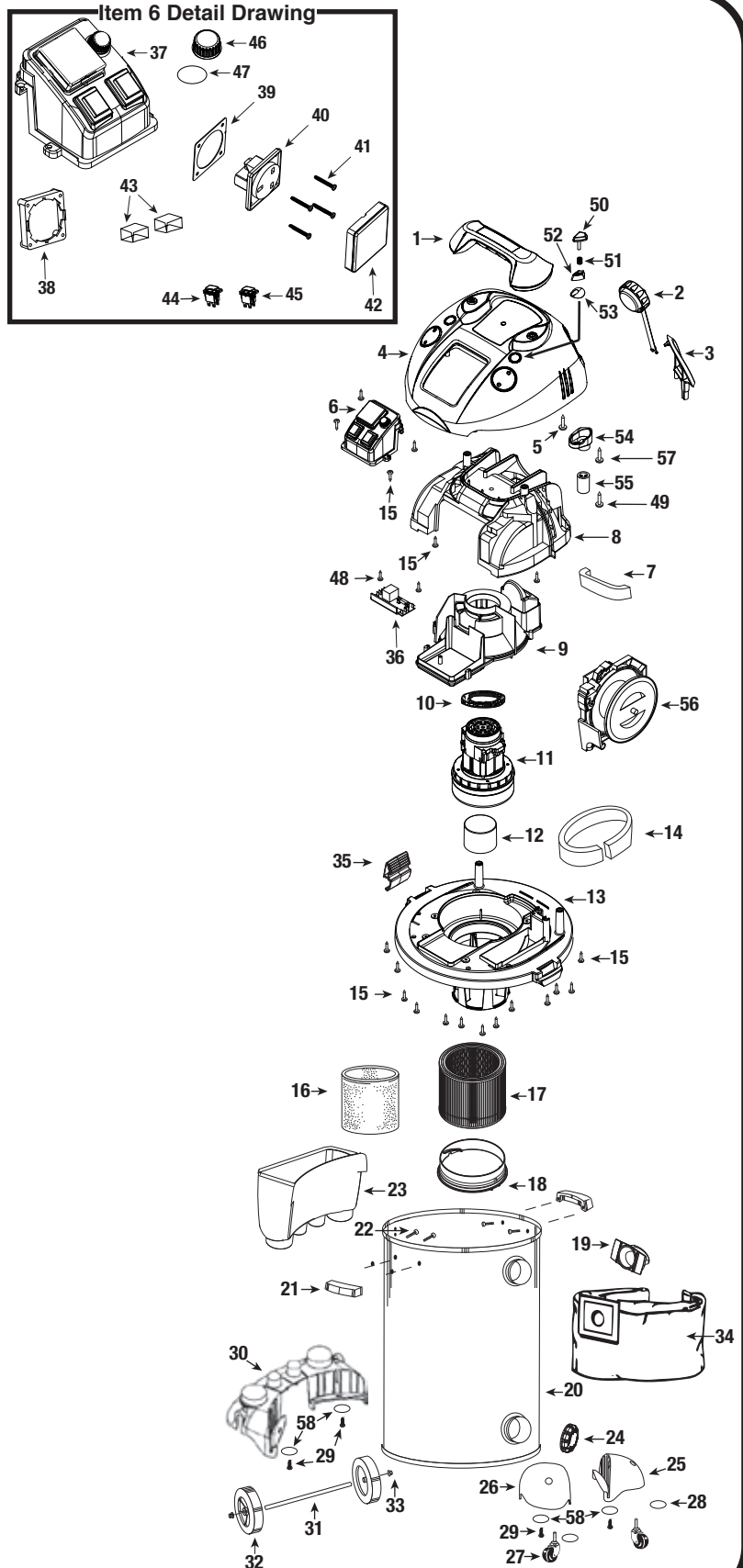


ITEM	DESCRIPTION	PART NO.
1	Handle Assembly	6463350
2	Blower Cap Assembly	7412538
3	Power Cord Surround	6463100
4	Top Cover Assembly	1944840
5	Screw #6 x 3/4 Type B Phillips	1510499
6	Electrical Panel Assembly (Includes 36-47)	1944847
7	Inner Cover Acoustical Foam	1290556
8	Undercover	6460350
9	Motor Housing	6460410
10	Upper Motor Gasket	2072000
11	Motor	1944625
12	Float Cup	3545000
13	Lid Cage and Latch Assembly	6460620
14	Lid Cage Acoustical Foam	1290555
15	Screw #10 x 3/4" Trilobe T25	1516599
16	Foam Sleeve	9058529
17	Cartridge Filter	9030429
18	Filter Retainer	3008000
19	Inlet Deflector	7413110
20	Tank Assembly	1944629
21	Side Tank Handle	9356000
22	Screw Hex Head #10 x 3/4", Type AB	1503999
23	Accessory Basket	7415111
24	Drain Cover	7446800
25	Caster Foot A	8568900
26	Caster Foot B	8568910
27	Caster	6773900
28	Washer	0704399
29	Screw Hex Head #10 x 1", Type AB	1509699
30	Rear Wheel Dolly	3488900
31	Axle	2442400
32	8" Wheel	2425010
33	Cap Nut	4300299
34	Collection Bag	9066129
35	Lid Latch	6461100
36	PC Board	6196300
37	Electrical Panel	6460510
38	Mounting Plate	7446300
39	Gasket	1210035
40	Receptical	1210051
41	Screw	2783205
42	Cover Frame	1210039
43	Switch Boot	8232450
44	Switch Double Pole	8232420
45	Switch Single Pole	8232410
46	Control Knob	6461021
47	O-/Ring	7403799
48	Screw 8 x 3/4 PH Pan Type AB	1503199
49	Screw M4 x 30 PH Pan	1517899
50	Actuator	6463400
51	Compression Spring	4371400
52	Actuator Base	6463500
53	Gasket	2072400
54	Base Mount	6463600
55	Actuator Stop	6461500
56	Cord Rewind	6463800
57	Screw M4 x 18 PH Pan	1517999
58	Washer	2781018



* Replacement parts may differ from original equipment.