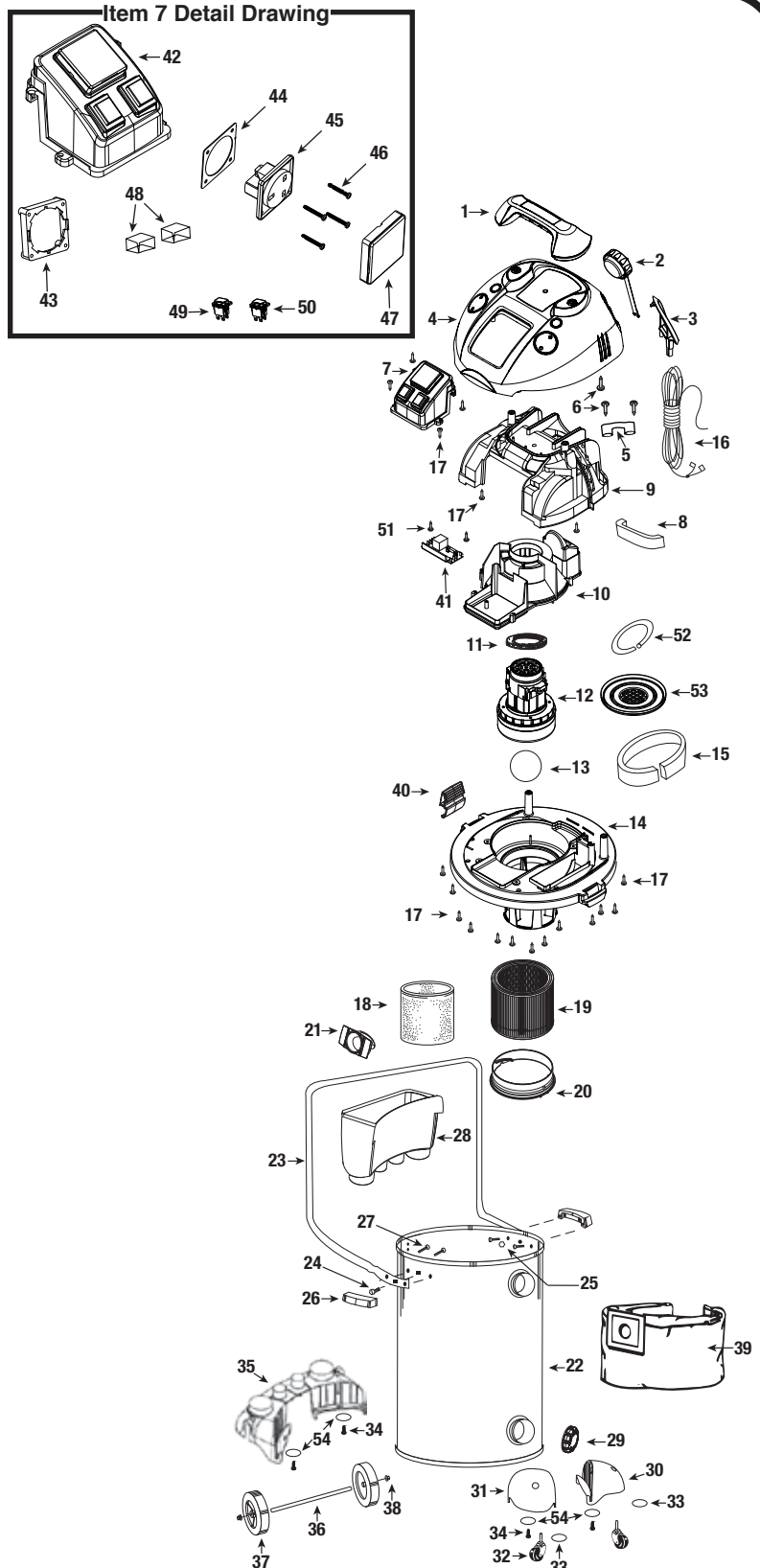


# ULTRA60-SI IND TYPE FR

ITEM	DESCRIPTION	PART NO.
1	Handle Assembly	6463350
2	Blower Cap Assembly	7412538
3	Power Cord Surround	6463100
4	Top Cover Assembly	1944839
5	Cord Clamp	0049810
6	Screw #6 x 3/4 Type B Phillips	1510499
7	Electrical Panel Assembly (Includes 41-50)	6460576
8	Inner Cover Acoustical Foam	1290556
9	Undercover	6460300
10	Motor Housing	6460400
11	Upper Motor Gasket	2072000
12	Motor	1944590
13	Ball Float	0081100
14	Lid Cage and Latch Assembly	6460641
15	Lid Cage Acoustical Foam	1290555
16	Power Cord	4880016
17	Screw #10 x 3/4" Trilobe T25	1516599
18	Foam Sleeve	9058529
19	Cartridge Filter	9034029
20	Filter Retainer	3008000
21	Inlet Deflector	7413110
22	Tank Assembly	5165997
23	Carriage Handle	2088100
24	Bolt 1/4" - 20 x 1/2"	6401299
25	1/4" - 20 Hex Nut	1300199
26	Side Tank Handle	9356000
27	Screw Hex Head #10 x 3/4", Type AB	1503999
28	Accessory Basket	7415111
29	Drain Cover	7446800
30	Caster Foot A	8568900
31	Caster Foot B	8568910
32	Caster	6773900
33	Washer	0704399
34	Screw Hex Head #10 x 1", Type AB	1509699
35	Rear Wheel Dolly	3488900
36	Axle	2442400
37	8" Wheel	2425010
38	Cap Nut	4300299
39	Collection Bag	9066329
40	Lid Latch	6461100
41	PC Board	6196296
42	Electrical Panel	6460500
43	Mounting Plate	7446300
44	Gasket	1210035
45	Receptical	1210051
46	Screw #6 x 1/2" Type BT PH	2783205
47	Cover Frame	1210039
48	Switch Boot	8232450
49	Switch Double Pole	8232420
50	Switch Single Pole	8232410
51	Screw 8 x 3/4 PH Pan Type AB	1503199
52	Gasket	2070000
53	Grid Plate	8865700
54	Washer	2781018



\* Replacement parts may differ from original equipment.