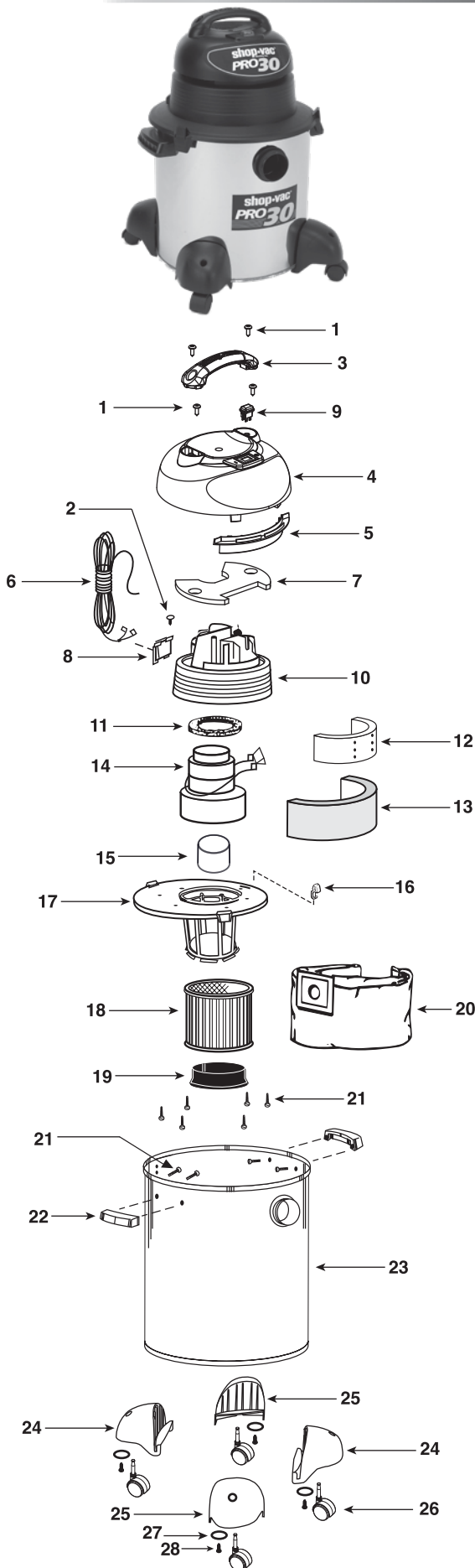


Pro 30 INOX

Model QFL110040



ITEM	DESCRIPTION	PART NO.
1	Screw Truss Head 1/4" x 3/4", Type AB	1514699
2	Screw #8 x 1/2 Ph Pan Head, Type AB	1500799
3	Handle Assembly	2418150
4	Motor Housing Cover	1944793
5	Cover Guard	2418600
6	Power Cord	4880008
7	Foam Insert Cover	2412520
8	Cord Retainer	2411110
9	Switch	1944382
10	Motor Housing	2418502
11	Upper Motor Gasket	2072000
12	Inner Housing, Acoustical Foam	1290400
13	Outer Housing, Acoustical Foam	1290503
14	Motor	1944202
15	Float	3545000
16	Lid Latch	8550101
17	Lid Cage	8988750
18	Cartridge Filter	9030429
19	Filter Retainer	3008000
20	Collection Bag	9066129
21	Screw Hex Head #10 x 3/4" Type AB	1503999
22	Side Tank Handle	9356000
23	Tank Assembly	1095997
24	Caster Foot A	8568101
25	Caster Foot B	8568111
26	Caster	6774200
27	Washer	2781018
28	Screw #10 x 1" Hex Head	1509699

* Replacement parts may differ from original equipment.