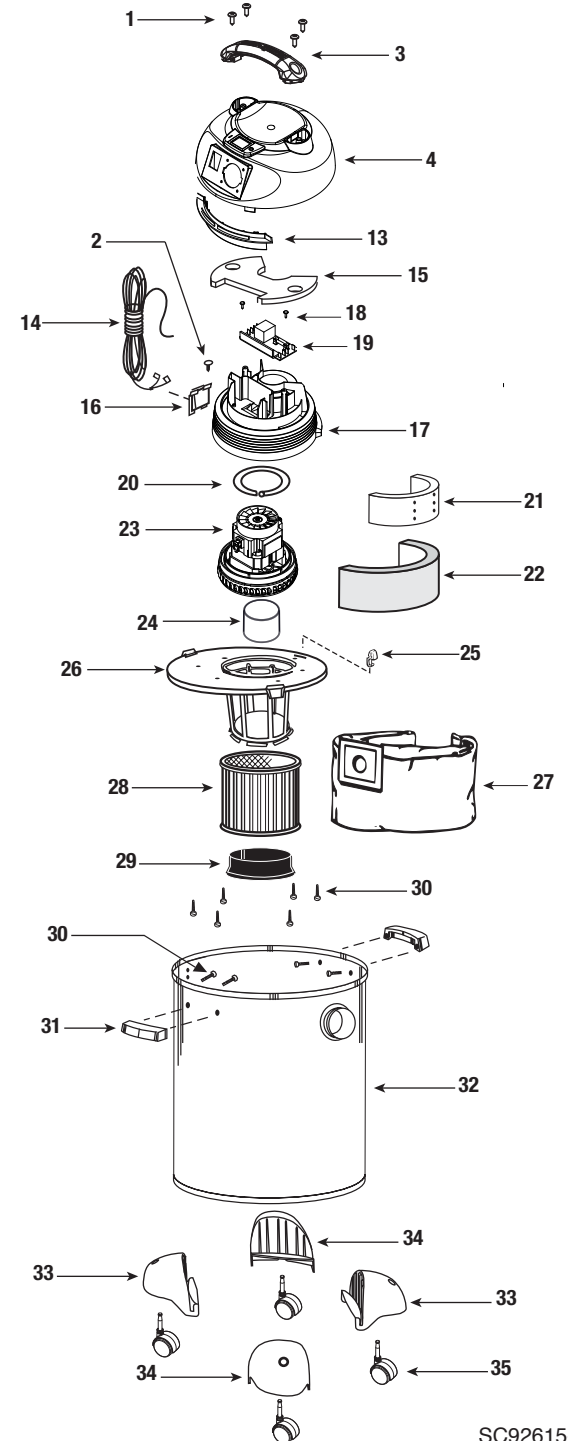
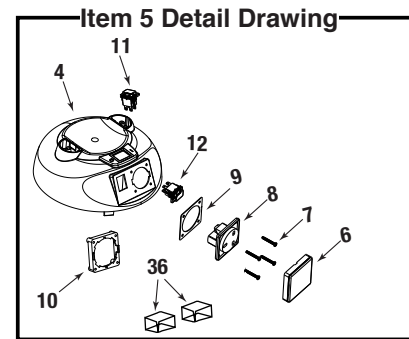


ITEM	DESCRIPTION	PART NO.
1	Screw Truss head 1/4" x 3/4", Type AB	1514699
2	Screw #8 x 1/2" Ph Pan Head, Type AB	1500799
3	Handle Assembly	2418150
4	Motor Housing Cover	1944792
5	Receptacle Assembly (includes 6-10)	1944614
6	Cover Frame	1210039
7	Screws	2783205
8	Receptacle	1210054
9	Gasket	1210035
10	Mounting Plate	7446300
11	Switch Double Pole	8232420
12	Switch Single Pole	8232410
13	Cover Guard	2418600
14	Power Cord	4880011
15	Foam Insert Cover	2412520
16	Cord Retainer	2411110
17	Motor Housing	2418502
18	Screw 8 x 3/4" PH Pan Type AB	1503199
19	Synchro PC Board	6196296
20	Upper Motor Gasket	2072000
21	Inner Housing, Acoustical Foam	1290400
22	Outer Housing, Acoustical Foam	1290503
23	Motor	1944594
24	Float	3545000
25	Lid Latch	8550101
26	Lid Cage & Latch Assembly	8968125
27	Collection Bag	9066129
28	Cartridge Filter	9030429
29	Filter Retainer	3008000
30	Screw Hex Head #10 x 3/4", Type AB	1503999
31	Side Tank Handle	9356000
32	Tank Assembly	1944713
33	Caster Foot A	8568801
34	Caster Foot B	8568811
35	Caster	6774200
36	Switch Boot	8232450



* Replacement parts may differ from original equipment.