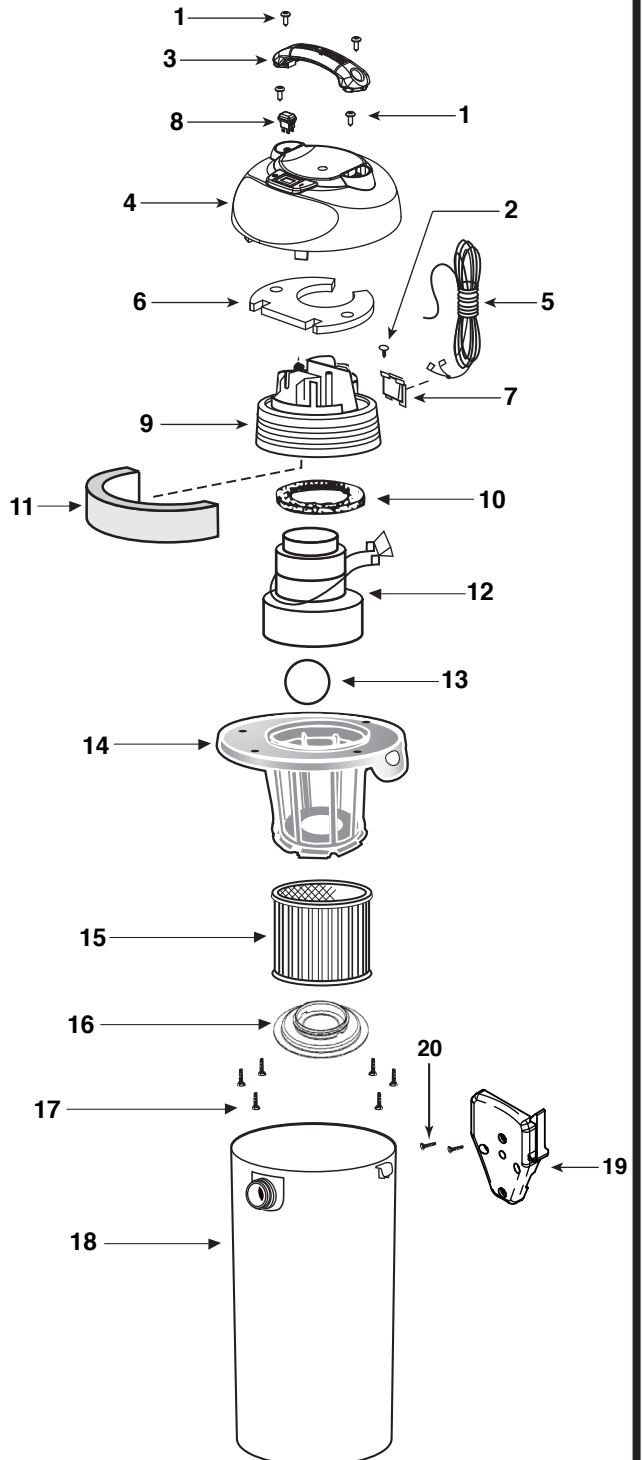


# Model - QFMH110040



ITEM	DESCRIPTION	PART NO.
1	Screw Truss Head 1/4" x 3/4", Type AB	1514699
2	Screw #8 x 1/2 Ph Pan Head, Type AB	1500799
3	Handle Assembly	2418050
4	Motor Housing Cover	2418200
5	Cord	2728596
6	Foam Insert Cover	2412220
7	Cord Retainer	2411110
8	Switch	1944382
9	Motor Housing	2410460
10	Upper Motor Gasket	2072000
11	Outer Housing, Acoustical Foam	1290505
12	Motor	1944546
13	Ball Float	0081100
14	Lid Cage	3182001
15	Cartridge Filter	9039829
16	Filter Retainer	3183000
17	Screw Hex Head #10 x 3/4", Type AB	1503999
18	Tank Assembly	8327525
19	Wall Bracket	9432000
20	Hardware Package	4904096

\* Replacement parts may differ from original equipment.